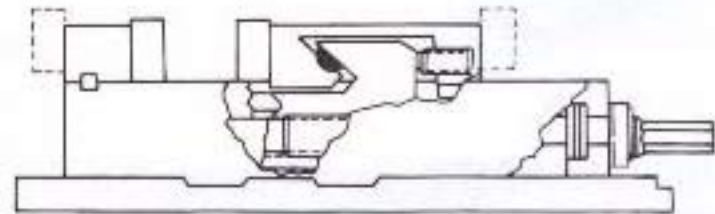
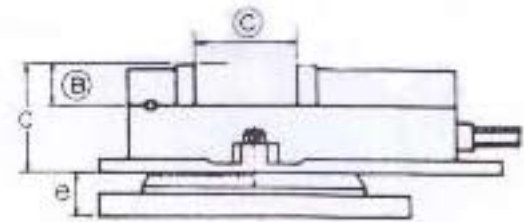
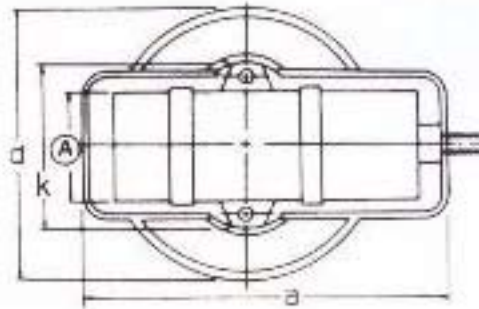


# Ang-Fixed Milling Vise



VD-675, VA-8L is NEW  
 VD-675 6" opened 7 1/2"  
 VA-8L 8" opened 10"



- Use highest quality ductile Iron 80000 PSI for minimum bending.
- The enclosed lead screw and sliding surface are harden and ground.
- Highest clamping power. It's very accurate and durable.
- This Vise is so designed that the horizontal Force generated by tightening the handle pushes the semisphere within the movable jaw and thus thrusts the movable jaw downward.
- Therefore, the workpiece does not move up, even if it is held at the top of the jaw plates.
- Four setting positions of the jaw plates are available, widening the jaw plates opening.
- The new VD675, VA-8L have two major improvements: a wide opening jaw and a new stationary jaw that features an integral key larger fasteners which reduce deflection by 50%.

## Order No. & Dimensions

Unit:mm/inches

ORDER NO.	A	B	C	a	k	c	d	e	f	Gross weight kg		Meas. CFT	CODE NO.
										plain	with swivel base		
VA-4	102 4 1/64	36 1 27/64	103 4 1/16	325 12 13/16	165 6 1/2	96 3 25/32	243 9 9/16	31 1 7/32	6 1/4	16 36	(C) 20	0.5	1002-030
VA-5	131 5 5/32	36 1 13/62	110 4 21/64	357 14 1/16	193 7 5/8	101 3 51/32	278 11	32 1 3/4	7 5/8	25 55	(C) 30	0.9	1002-031
VA-6	152 6	46 2	142 5 9/32	418 16 7/16	209 8 1/4	119 4 11/16	328 12 29/32	39 1 11/32	9 3/8	36 80	(C) 42	1.5	1002-032
VA-8	200 7 7/8	62 2 7/16	197 7 3/4	548 21 9/16	295 11 9/8	147 5 13/16	416 16 3/8	45 1 25/32	11 7/8	70 155	(W) 80	2.7	1002-033
VD-675	152 6	38 1 1/2	190 7 1/2	552 21 3/4	295 11 5/8	134 5 1/8	381 15	47 1 7/8	11 7/8	37 82	(C) 43	1.5	1002-034
VA-8L	203 8	60 2 3/8	266 10 1/4	596 23 1/2	203 8	148 5 3/16	330 13	40 1 1/2		72 155	(W) 80	2.7	1002-035