



Super Indexing Spacer

Blmaq & Silmaq



Special Accessories

The same as Rotay table
Please see page A2

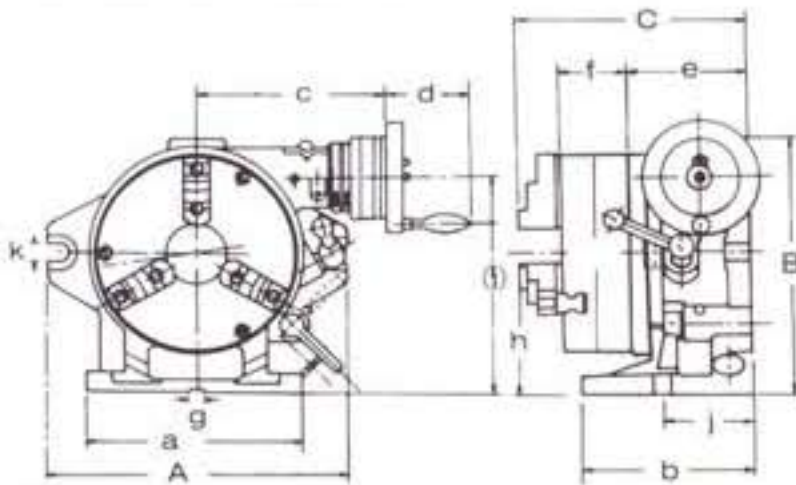


CS-8 with VSK-8 3-JAW MASKING PLATE & FACE PLATE

This index combines the advantages of the Super Index with those of a worm-gearred index. When mounted on a milling, boring or other machine tool it can carry out single-purpose indexing and indirect indexing using the worm-drive mechanism. Disengaging the worm drive the 24-notch master plate permits 2,3, 4,6,8,12 and 24 dividing in the same manner as the Simple Index. When the chuck is removed, the unit can be used as a horizontal and vertical type rotary table. The operating handle to rotary table worm gear reduction ratio is 1:90. The operating handle collar is graduated 'in one minute, and readings down to ten seconds can be set on the vernier.



The state of CS-8 fitted with Face Plate & Dividing Plate



Specifications

Unit:mm

ORDER NO.	Numbers of dividing	Chuck				Face plate		A	B	C	a	b	c	d	e	f	g	h	i	j	k	Gross Weight kg	Meas. CFT	CODE NO.
		Outer diameter	Inner jaw	Outer jaw	Inner dia	Outer dia	Thickness																	
CS-6	2,3,4,6	167 VSK-6	4-42	10-156	44	203	50	250	235	221	220	150	184	82	112	66	16	123	186	80	18	(W)50	1.2	1001-060
CS-8	8,12,24	210 VSK-8	4-62	10-180	63	254	58	310	285	243	225	160	201	82	125	75	16	155	232	90	18	(W)79	3.1	1001-061