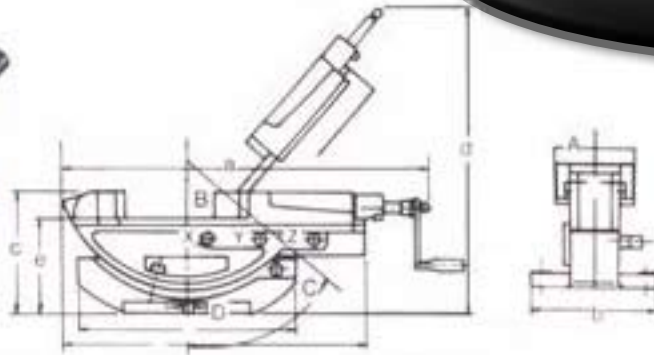




Tilting Hydraulic Machine Vise



Unit:mm

ORDER NO.	A	B	C	D	a	b	c	d	e	Max. Clamp Force	G.W(kg)	Meas CFT	CODE NO.
VHT-4	105	36	50°	14	505	165	191	MAX 450	155	2500kgs	(W)32	1.2	1002-020
VHT-6	150	53	50°	14	790	225	250	MAX 580	197	4500kgs	(W)80	4.4	1002-021

- The same as characters of VH type. Swivel base same as VH type.
- Tilting seat set by two locking screws, works in high stability.
- Angle setting ranges from 0°~50°. Tilting degrees graduated for easy reading. Swivel base graduated to 360° and fixable in any position.
- THE (3 STEPS CLAMPING POSITION) SAME AS VH TYPE.
- Accuracy within 0.02mm
- Hydra-booster system is guaranteed for using 2 years limited.