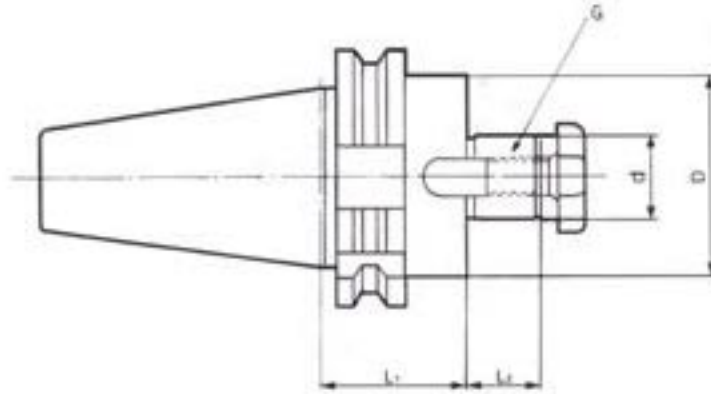




# Face Mill Holder

Holder For Face Mill Cutter.

DIN69871 A



Unit:mm

ORDER NO.	SIZE	d	D	L1	L2	G	WEIGHT (kg)	CODE NO.
SK-111	SK40-FMB16-45	16	38	45	17	M8	1.2	3211-201
SK-112	SK40-FMB22-50	22	48	50	18	M10	1.2	3211-202
SK-113	SK40-FMB27-50	27	60	50	20	M12	1.6	3211-203
SK-114	SK40-FMB32-50	32	62	50	22	M16	1.9	3211-204
SK-117	SK50-FMB22-50	22	60	50	18	M10	3.4	3211-205
SK-118	SK50-FMB27-50	27	70	50	20	M12	3.5	3211-206
SK-119	SK50-FMB32-60	32	75	60	22	M16	3.7	3211-207
SK-120	SK50-FMB40-60	40	85	60	26	M20	4.7	3211-208