

Blmaq & Silmaq



Precision Slotting Head

ORDER NO.VSH-125 CODE NO.1012-010



Features

- Special design worm and worm gear with linkage transmission mechanism, well construction and highly power output.
- The ram-sliding surface are hardened and precision ground
- Built in lubricating system for smoothly running and prolong the life of head
- Available mounting on any type milling m/c back side of the ram.

Specification

Stroke:125mm(5")

No. of stroke speed change:5 steps

Stroke speed (stroke/min):30,47,69,98,140 spm(50HZ)

Stroke speed (stroke/min):35,54,79,112,160 spm(60HZ)

Driving Motor:3/4HP-6P

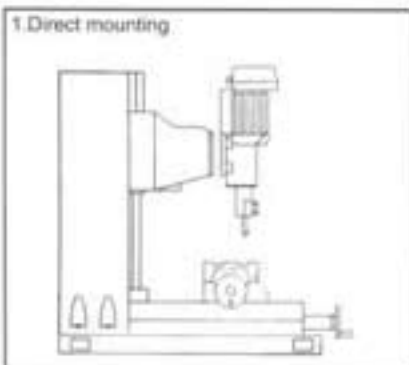
G.WEIGHT: 150kgs

Optional Accessories

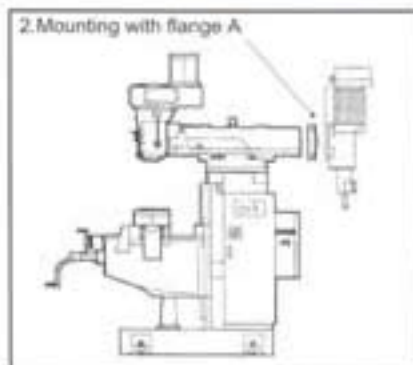
- Flange A
- Flange B
- Slotting bar & cutter
4, 5, 6, 7, 8, 10mm

ORDER NO.	CUTTER & DESCRIPTION	WEIGHT (kg)	CODE NO.
VSH-4C	Slotting bar 4mm	0.32	1012-011
VSH-5C	Slotting bar 5mm	0.32	1012-012
VSH-6C	Slotting bar 6mm	0.57	1012-013
VSH-7C	Slotting bar 7mm	0.6	1012-014
VSH-8C	Slotting bar 8mm	0.825	1012-015
VSH-10C	Slotting bar 10mm	0.83	1012-016
VSH-FGA	FLANGE A	17	1012-017
VSH-FGB	FLANGE B	22	1012-018

1.Direct mounting



2.Mounting with flange A



3.Mounting with flange B

