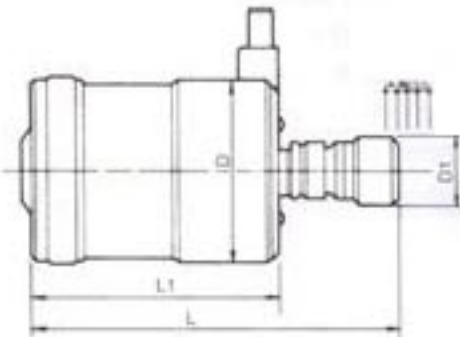


# Reversible Tapping Attachments

**Blmaq & Silmaq**



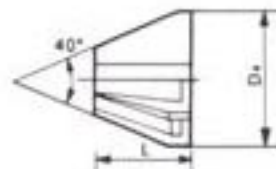
- Radial Float is SELF-CENTERING to compensate for hole center misalignment.
- Unique Double Spring Mechanism produces Automatic Feed and Cushion Drive. There are two springs for the feed and two springs for the reversal. Each set gives you double smoothness for ULTRA accurate tapping applications (not possible with this type of tapping head in the past).
- Pre-set Torque Control Permits easy operation of tap brake torque control
- JACOBS RUBBER FLEX COLLETS are standard accessory.

## Reversing Type

ATTACHMENT DESIGNATIONS ORDER NO.	FOR TAPS	SUITABLE ADAPTERS SIZE	REC. MAX SPEED	LENGTH COMPENSATION				D DIA	D1 DIA	L	L1	WEIGHT (kg)	CODE NO.
				R.H. ROTATION COMP A	NON ROTAT EXP B	LH. ROTAT EXP C	EXP E						
VTA7-JT6	M2-M7	FC-10/FC-11	1500RPM	5	3.5	1.5	7.0	52	23	125.5	94.5	1.2	3404-020
VTA12-JT6	M3-M12	FC-20/FC-21	1000RPM	5	4.5	1.5	8.5	73.5	28	169	122	3	3404-021
VTA20-M20	M8-M20	FC-30/FC-31	600RPM	5.5	5	2.0	9.0	91	38	190	128	5.6	3404-022

## Rubber Flex Collet For VTA Tapper

ORDER NO.	COLLETS CAPACITY	D4	L	CODE NO.
FC-10	Ø 2.5- Ø 4.5	16	11	3404-030
FC-11	Ø 4.5- Ø 6.5	16	11	3404-031
FC-20	Ø 4.5- Ø 7.5	21.5	13	3404-032
FC-21	Ø 7.5- Ø 10	21.5	13	3404-033
FC-30	Ø 8.0- Ø 16	26.5	15	3404-034
FC-31	Ø 14- Ø 19	26.5	15	3404-035



### CONNECTING ARBOR FOR VAT20-M20

MT3-M20	3404-036A
MT4-M20	3404-037A