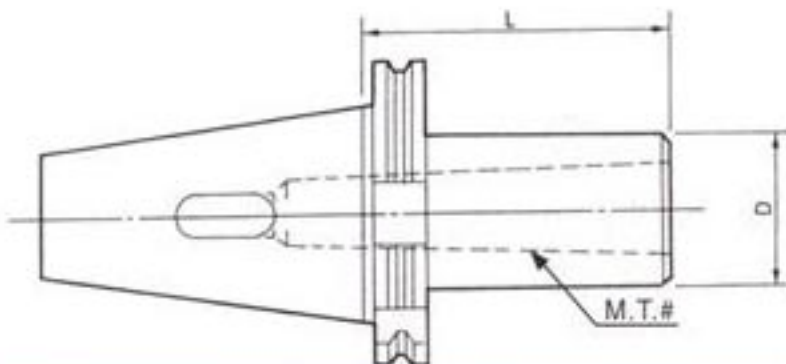




Morse Taper Holder-DIN6383

Holder For Morse Taper Shank With Tang.
DIN69871 A

Blmaq & Silmaq



Unit:mm

ORDER NO.	SIZE	M.T.#	L	D	WEIGHT (kg)	CODE NO.
SK-211	SK30-MT1-50	1	50	25	0.7	3211-130
SK-212	SK30-MT2-60	2	60	32	0.7	3211-131
SK-213	SK30-MT3-80	3	80	40	0.8	3211-132
SK-214	SK40-MT1-45	1	45	25	1.2	3211-133
SK-215	SK40-MT2-45	2	45	32	1.1	3211-134
SK-216	SK40-MT3-75	3	75	40	1.2	3211-135
SK-217	SK40-MT4-90	4	90	48	1.35	3211-136
SK-218	SK50-MT1-45	1	45	25	3	3211-137
SK-219	SK50-MT2-45	2	45	32	3.1	3211-138
SK-220	SK50-MT3-45	3	45	40	3.3	3211-139
SK-221	SK50-MT4-75	4	75	48	3.5	3211-140
SK-222	SK50-MT5-105	5	105	63	3.7	3211-141

